

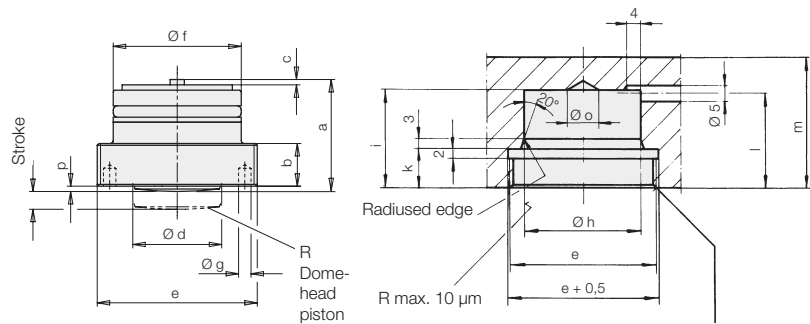
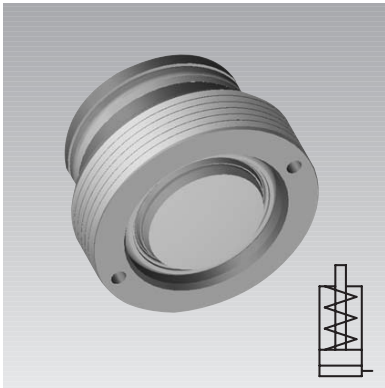


# ROEMHELD

Issue 11-08 E

## B 1.464

### Threaded-Body Cylinder short stroke, single acting with spring return max. operating pressure 500 bar



#### Description

These short threaded-body cylinders are particularly suitable for recessed installation in clamping bars (see installation example). Oil supply is made through drilled channels.

The plunger construction combined with the wiper avoids penetration of contamination and liquids into the spring area.

#### Advantages

- Three sizes are available
- High clamping forces up to 40 kN
- High force density in clamping bars
- Compact design
- Body completely recessible
- Sturdy plunger construction
- Wiper
- Oil supply without tubes

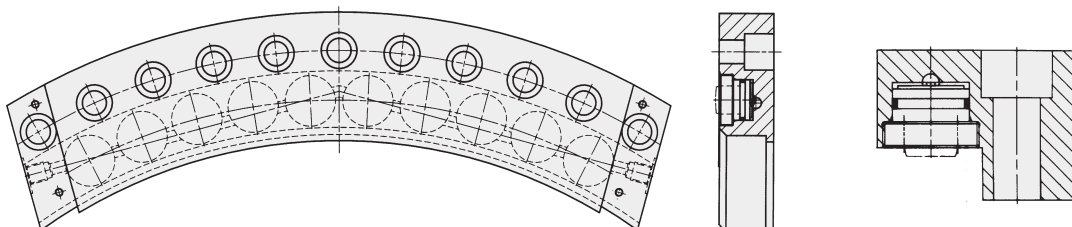
#### Important notes

Operating conditions, tolerances and other data see data sheet A 0.100.

Power units see catalogue section „D“.

Piston Ø d	[mm]	20	25	32
Stroke	[mm]	4	4	8
Clamping force at				
100 bar	[kN]	3.1	4.9	8
500 bar	[kN]	15.7	24.5	40.2
Min. operating pressure	[bar]	10	10	10
Max. oil volume	[cm <sup>3</sup> ]	1.26	1.95	6.43
a	[mm]	26.5	31	43.5
b-0.1	[mm]	10	12	12
c	[mm]	1	1	3
e	[mm]	M 38x1.5	M 45x1.5	M 56x1.5
Ø f	[mm]	30	36	44
Ø g	[mm]	3.1	3.5	4
Ø h H7	[mm]	30	36	44
i	[mm]	26	30	41
k+0.2	[mm]	10	12	12
l	[mm]	26	29	39
m	[mm]	36	40	50
o	[mm]	8	10	20
p	[mm]	0.5	1.5	1.5
R	[mm]	80	100	150
Weight	[kg]	0.151	0.251	0.489
Seating torque	[Nm]	100	250	400
<b>Part-no.</b>		<b>1462-610</b>	<b>1463-610</b>	<b>1464-610</b>

#### Installation example in clamping bars



Subject to change without notice

# HYQUIP

New Brunswick Street Horwich Bolton BL6 7JB UK  
 Tel: +44 (0)1204 699959 Fax: +44 (0)1204 699542  
 Email: [enquiries@hyquip.co.uk](mailto:enquiries@hyquip.co.uk) Web: [www.hyquip.co.uk](http://www.hyquip.co.uk)