

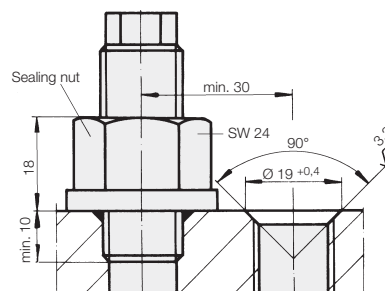
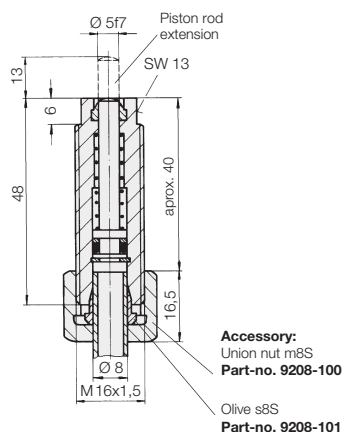


# ROEMHELD

Issue 1-09 E

# B 1.459

## Threaded-Body Cylinder single acting with spring return and wiper max. operating pressure 160 / 500 bar



### Description

These threaded-body cylinders allow direct tube or hose connection.

Due to elimination of the pipe union a particularly compact assembly results. Depending on wall strength and fixing method (thread or bore) a certain adjustment is possible.

The cylinders can also be screwed into threaded bores. Sealing is then effected by the sealing nut available as accessory. By adjustment, workpiece tolerances of more than 20 mm can be absorbed.

### Material

Piston material: casehardening steel, hardened

Cylinder body: free-cutting steel

### Important notes

**Threaded-body cylinders must not be subjected to a load in retracted position.**

The cylinder is not suitable for pre-mounting of the cutting ring, since there is no stop for the tube. This pre-assembly has to be made by means of a male connector D8S (9208-102).

Cylinders have to be protected against direct influences of aggressive cutting lubricants and coolants.

Operating conditions, tolerances and other data see data sheet A 0.100.

Piston Ø	[mm]	8
Stroke	[mm]	10
Clamping force at 100 bar	[kN]	0.5
Clamping force at 500 bar	[kN]	2.5
Min. operating pressure	[bar]	5
Oil volume per 10 mm stroke	[cm <sup>3</sup> ]	0.5
Piston area	[cm <sup>2</sup> ]	0.5
Spring return force, min.	[N]	15
Weight	[g]	55

**Part-no. 1459-001**

**Part-no. with piston rod extension 1459-011**

**Version with minimum leakage rate for operating pressure up to 160 bar**  
e.g. for applications with many operating cycles

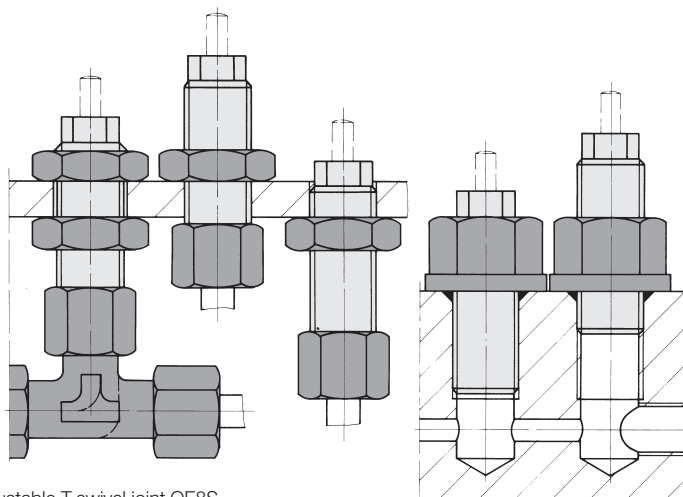
**Part-no. 1459-101**

**Part-no. with piston rod extension 1459-111**

### Accessories

Connecting possibilities	Operating pressure
	250* bar    500 bar
Precision steel tube as per DIN 2391 galvanized	8x1    8x2 <b>3128-112    3128-212</b>
High-pressure hose ND 4 (s.sheet F 9.361)	<b>93751-X    93752-X</b>
Seal nut M 16x1.5	<b>3300-407</b>
Max. seating torque	90 Nm
Lock nut M 16x1.5 DIN 936	<b>3300-409</b>

\* Tubes and hoses have to be provided with union nuts m8S and olives s8S.



Adjustable T-swivel joint QE8S  
**Part-no. 9208-035**

Adjustable swivel joint KE8S  
**Part-no. 9208-036**

Subject to change without notice