



RE 28 389-M/09.00

**Preferred types**

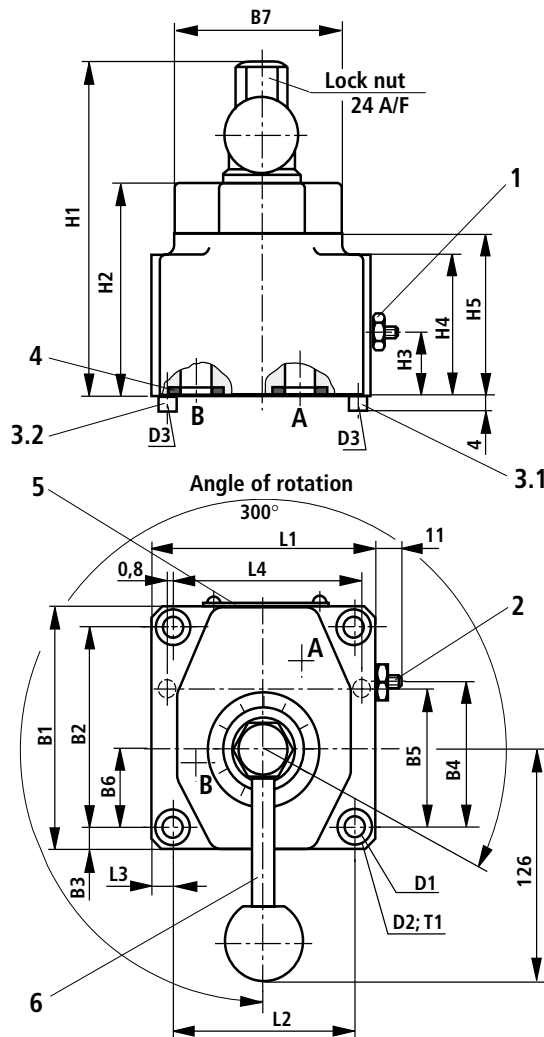
Preferred types	
Type	Material number
2FRM 10-3X/10LBJ	00448303
2FRM 10-3X/10LJ	00344343
2FRM 10-3X/16LBJ	00354594
2FRM 10-3X/16LJ	00499624
2FRM 10-3X/16LJV	00362811
2FRM 10-3X/16QJ	00344318
2FRM 10-3X/25LBJ	00389455
2FRM 10-3X/25LJ	00494447
2FRM 10-3X/25LJV	00331067
2FRM 10-3X/25QJV	00451502
2FRM 10-3X/35LBJ	00497430
2FRM 10-3X/35LJ	00586236
2FRM 10-3X/35LJV	00584877

Preferred types	
Type	Material number
2FRM 10-3X/5LBJ	00488841
2FRM 10-3X/50LBJ	00411045
2FRM 10-3X/50LBJV	00533609
2FRM 10-3X/50LJ	00466286
2FRM 16-3X/100LBJ	00411378
2FRM 16-3X/100LJ	00433570
2FRM 16-3X/160LBJ	00416601
2FRM 16-3X/160LBJV	00534016
2FRM 16-3X/160LJ	00463601
2FRM 16-3X/60LBJ	00411046
2FRM 16-3X/60LJ	00498326
2FRM 16-3X/80LJ	00414597

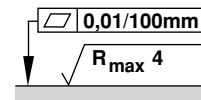
**Unit dimensions:** type FRM / mech. actuation lever with knob

(Dimensions in mm)

NS 10 and NS 16



Dim.	NS 10	NS 16
B1	101.5	123.5
B2	82.5	101.5
B3	9.5	11.0
B4	58.8	70.5
B5	58.7	72.9
B6	35.5	41.5
B7	80	80
D1	9	11
D2	15	18
D3	6	6
H1	137	159
H2	81	103
H3	26	34
H4	51	72
H5	58	80
L1	95	123.5
L2	76	101.5
L3	9.5	11
L4	79.4	102.4
T1	13	12



Required surface finish of mating piece

- 1 Hexagon 10 A/F
- 2 Internal hexagon 3 A/F
- 3.1 Locating pin (NS 10 and NS 16)
- 3.2 Locating pin (NS 16)
- 4 R-ring 18.64 x 3.53 x 3.53 (NS 10)  
R-ring 26.58 x 3.53 x 3.53 (NS 16)
- 5 Name plate
- 6 Lever with knob

**Subplates** to catalogue sheet RE 45 066.

**Subplates** for:

- Nom. size 10 G 279/01 (G 1/2)  
G 280/01 (G 3/4)
- Nom. size 16 G 281/01 (G 1)  
G 282/01 (G 1 1/4)

RE 28 389-M/09.00

**Notes**

---

---

The specified data is for product description purposes only and may not be deemed to be guaranteed unless expressly confirmed in the contract.

All rights reserved – Subject to revision

---

