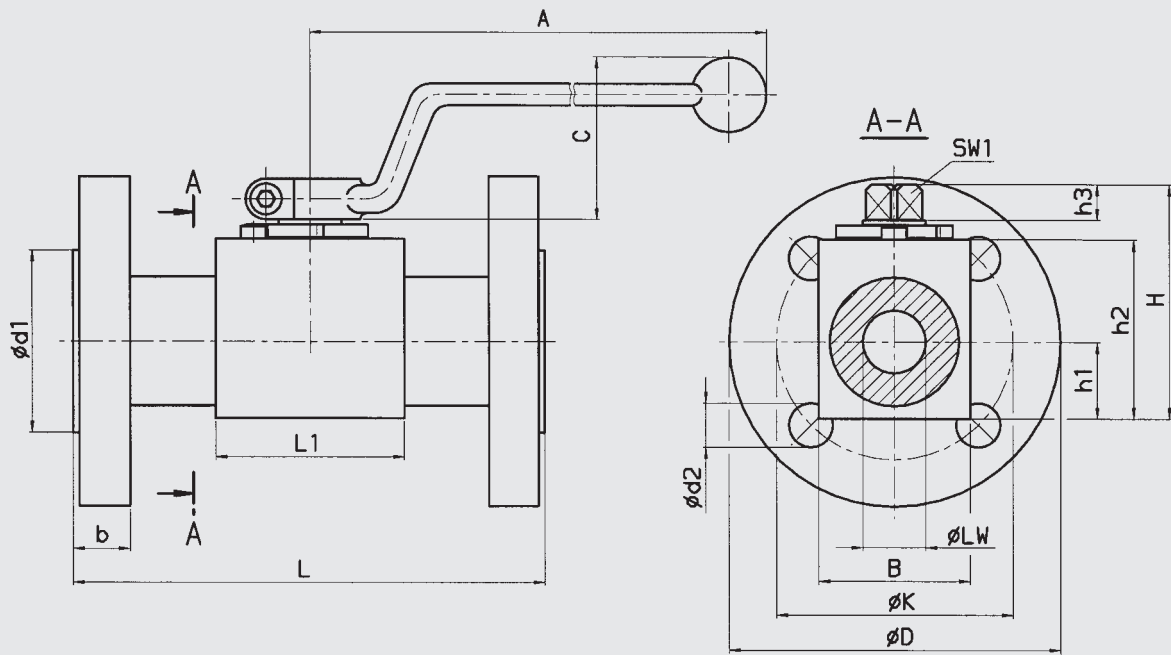
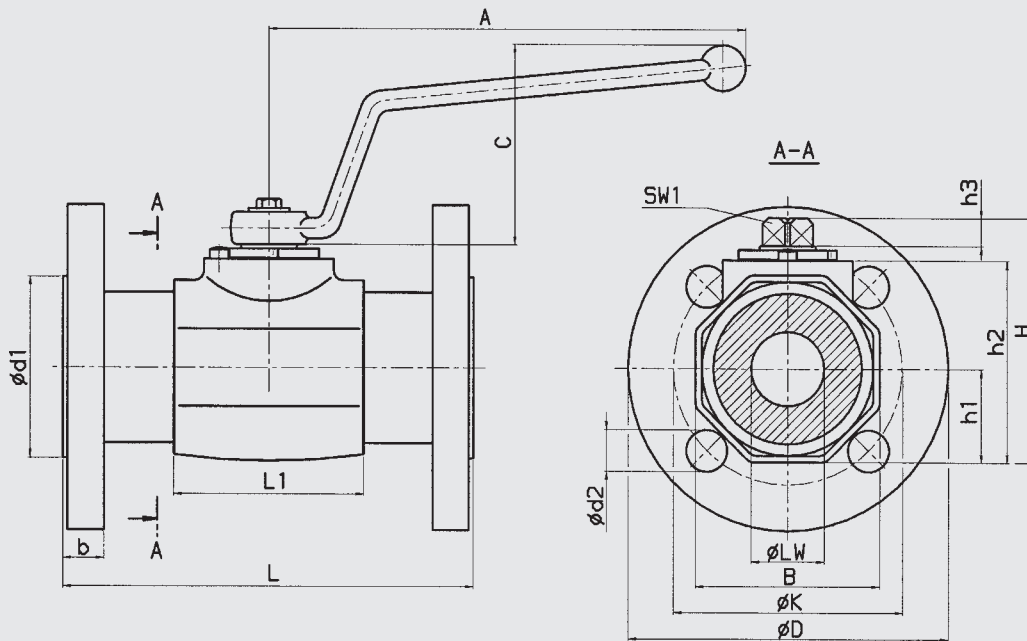


Dimensions

KHBF



KHMF / KHMFF



Version	Housing dimensions											PN (Ball valve) [bar]
	DN	LW	L1	B	H	h1	h2	h3	SW1	A	C	
Block housing KHBF	16	15	47	38	62	19	45	11	12	185	47	400
	20	20	60	48	75	24.5	57	11	14	203	54	315
	25	25	65	57	81.5	28.5	64	11	14	203	54	315
Sleeve housing KHMF / KHMFF	16	15	46	45	66.5	22.5	48.5	11	12	185	47	400
	20	20	58	55	78	27.5	60	11	14	203	54	315
	25	25	64	60	83.5	30	65.5	11	14	203	54	315
	32	30	84	75	103	38	85	12	17	228	80	315
	40	38	91	85	114	43	96	12	17	228	80	315
50	48	100	105	131.5	53	113	12	17	228	80	315	

Type of connection /sealing strip	Type	Press. range PN [bar]	L	D	d1	d2	K	b	Z*	Weight [kg]	
Flange connection DIN 2501, Form E F1 (FTF, basic range 1)	KHBF - 16 KHMFF - 16	40	130	95	45	14	65	16	4	2.2	
		160	130	105	45	14	75	20	4	3.0	
		315	130	130	45	18	90	26	4	4.1	
	KHBF - 20 KHMFF - 20	40	150	105	58	14	75	18	4	3.4	
		KHBF - 25 KHMFF - 25	40	160	115	68	14	85	18	4	5.0
			160	160	140	68	18	100	24	4	7.1
			250	160	150	68	22	105	28	4	8.6
	KHMFF - 32	315	160	160	68	22	115	34	4	9.2	
		40	180	140	78	18	100	18	4	7.3	
		160	180	155	78	22	110	26	4	10.0	
	KHMFF - 40	40	200	150	88	18	110	18	4	9.5	
		160	200	170	88	22	125	28	4	13.0	
		250	200	185	88	26	135	34	4	15.5	
		315	200	195	88	26	145	38	4	17.5	
	KHMFF - 50	40	230	165	102	18	125	20	4	13.1	
63		230	180	102	22	135	26	4	18.0		
160		230	195	102	26	145	30	4	23.5		
250		230	200	102	26	150	38	8	28.5		
315		230	210	102	26	160	42	8	31.0		
Flange connection DIN 2501, Form E F4 (FTF, basic range 14)	KHMFF - 32 KHMFF - 40 KHMFF - 50	40	130	140	78	18	100	18	4	6.1	
		40	140	150	88	18	110	18	4	7.7	
		40	150	165	102	18	125	20	4	10.7	

z* = Number of fixing holes

Technical details

Length:	DIN-EN 558-1 - FTF, basic range 1 (DIN 3202 – F1, long version) DIN-EN 558-1 - FTF, basic range 14 (DIN 3202 – F4, short version)	
Flange dimensions:	DIN 2501, Form E	
Flange connections:	rotating flanges	
Mounting position:	optional	
Ambient temperature:	-10 °C to +80 °C	
Nominal pressure:	up to PN 315 bar (see pressure range)	
Operating fluids:	mineral oil to DIN 51524 Part 1 + 2 (other media on request)	
Temperature of operating fluids:	-10 °C to +80 °C	
Spare parts:	seal kit (on request)	
Accessories:	all ball valves can be supplied with following options:	Actuator Limit switch Lock

Note

The information in this brochure relates to the operating conditions and applications described.
For applications or operating conditions not described, please contact the relevant technical department.
Subject to technical modifications.