

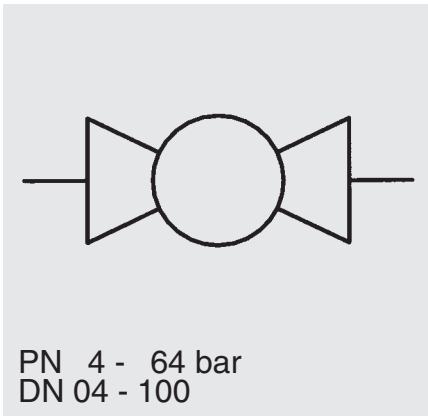


Low Pressure Ball Valves

KHNVN / KHNVS / KHN

Model code
(also order example)

KHNVS **Rp** **1/2** **2233** **12** **X** **...**



Designation

KHNVN – low pressure ball valve - standard model
KHNVS – low pressure ball valve - heavy duty model
KHN – low pressure ball valve - DIN-DVGW (German Gas & Water Association)

Type of connection

Thread size

Material codes

KHNVN / VS

2	2	3	3
brass, nickel-plated	brass, chrome-plated	Synthetic material (PTFE)	Synthetic material (PTFE)
Housing	Ball	Ball seals	Soft seal Perbunan (NBR) Seals
Control spindle			

KHN

2	2	3	2
brass, nickel-plated	brass, chrome-plated	Synthetic material (PTFE)	Synthetic material (PTFE)
Housing	Ball	Ball seals	Soft seal Perbunan (NBR) Seals
Control spindle			

Handle

12 = aluminium handle, cranked (supplied fitted)

Series

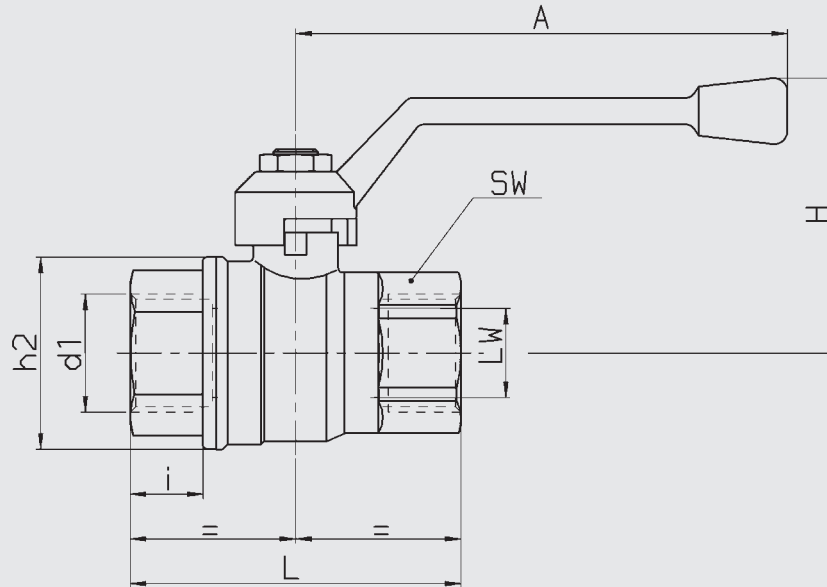
(determined by manufacturer)

Approval

DIN-DVGW (KHN only)

Dimensions

KHNVN / KHNVS



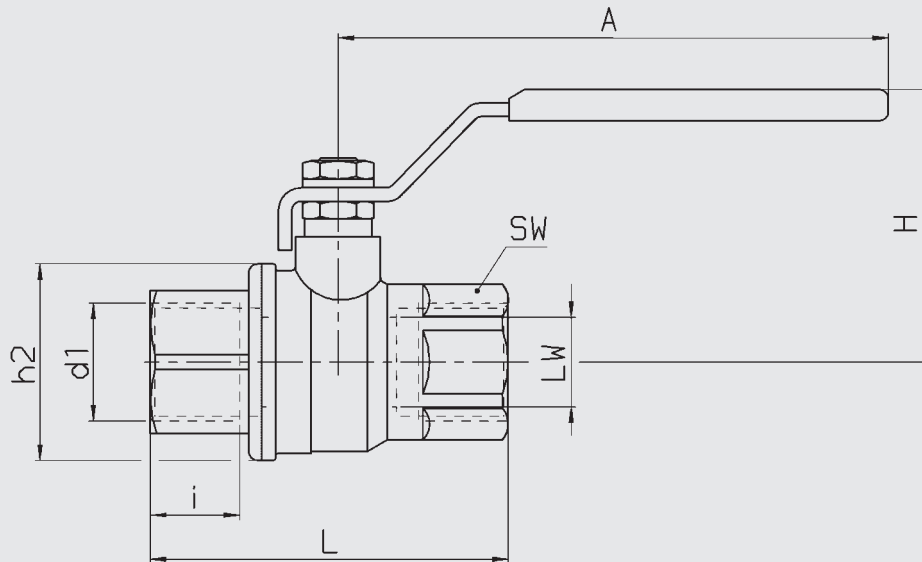
Type	d1	Nominal bore DN	ØLW	Nom. press. PN (bar)	i	L	Øh2	H	A	SW	Weight (kg)	Stock no.
KHNVN	G1/2	16	15	30	13.5	55	33	51	95	25	0.19	702152
KHNVN	G3/4	20	20	30	12.5	57	39	60	110	31	0.29	702153
KHNVN	G1	25	25	30	15	69.5	49	64	110	38	0.46	702154
KHNVN	G1 1/4	32	32	25	17	81.5	59	79	160	48	0.90	702155
KHNVN	G1 1/2	40	40	25	18	95	73	85	160	54	1.32	702156
KHNVN	G2	50	50	25	22	113	86	103	170	67	1.79	702157

Type	d1	Nominal bore DN	ØLW	Nom. press. PN (bar)	i	L	Øh2	H	A	SW	Weight (kg)	Stock no.
KHNVS	Rp1/4	06	8	64	11	51.5	23	48	95	20	0.18	702164
KHNVS	Rp3/8	10	10	64	11.4	51.5	23	48	95	20	0.17	702165
KHNVS	Rp1/2	16	15	64	15	64	34.5	52	95	27	0.25	551093
KHNVS	Rp3/4	20	20	40	16.3	74	43	62	110	32	0.42	551094
KHNVS	Rp1	25	25	40	19.1	89	53	66	110	41	0.67	551095
KHNVS	Rp1 1/4	32	32	25	21.4	100	63	80	160	50	1.07	551096
KHNVS	Rp1 1/2	40	40	25	21.4	110	77	87	160	55	1.59	551097
KHNVS	Rp2	50	50	25	25.7	130	93	104	170	70	2.30	551098
KHNVS	Rp2 1/2	65	65	16	30.2	152	111	128	205	90	3.66	702172
KHNVS	Rp3	80	80	16	33.3	177	136	139	205	105	5.90	702173
KHNVS	Rp4	100	100	16	39.3	214	166	161	260	130	10.00	702174

Technical specifications

Type of connection:	Whitworth female thread to ISO 228 (G) Whitworth female thread to ISO 7/1 (Rp)	
Installation position:	optional	
Ambient temperature:	-20 °C to + 160 °C	
Nominal pressure:	up to PN 64 bar	
Operating media:	mineral oil to DIN 51524 Part 1 and Part 2, gaseous media, compressed air, water other media on request	
Temperature of operating media:	-20 °C to + 160 °C	
Accessories:	All ball valves can be supplied with the following options: actuator limit controls lock	

KHN - DVGW



Type DVGW	d1	Nominal bore DN	ØLW	Nom. press. PN (bar)	i	L	Øh2	H	A	SW	Weight (kg)	Stock no.
KHN	Rp1/4	06	8	4	11.4	51.5	23	48	95	20	0.14	3047268
KHN	Rp3/8	10	10	4	11.4	51.5	23	48	95	20	0.13	3023433
KHN	Rp1/2	16	15	4	15.0	62	32	51	95	25	0.21	3023435
KHN	Rp3/4	20	20	4	16.3	69	39	60	110	31	0.33	3023436
KHN	Rp1	25	25	4	19.1	83	49	64	110	38	0.53	3023437
KHN	Rp1 1/4	32	32	4	21.4	96	59	78	160	48	0.97	3023439
KHN	Rp1 1/2	40	40	4	21.4	108	73	86	160	54	1.45	3023440
KHN	Rp2	50	50	4	25.7	126	86	104	170	67	1.98	3023441

Technical specifications

Type of connection:	Whitworth female thread to ISO 7/1 (Rp)
Installation position:	optional
Approval:	<u>DIN</u> -DVGW (EN 331)
Ambient temperature:	-10 °C to +70 °C
Nominal pressure:	PN 4 bar
Operating media:	all gases in accordance with DVGW - Worksheet G260/I
Temperature of media:	5 °C to +50 °C

Note

The information in this brochure relates to the operating conditions and applications described.

For applications or operating conditions not described, please contact the relevant technical department.

Subject to technical modifications.